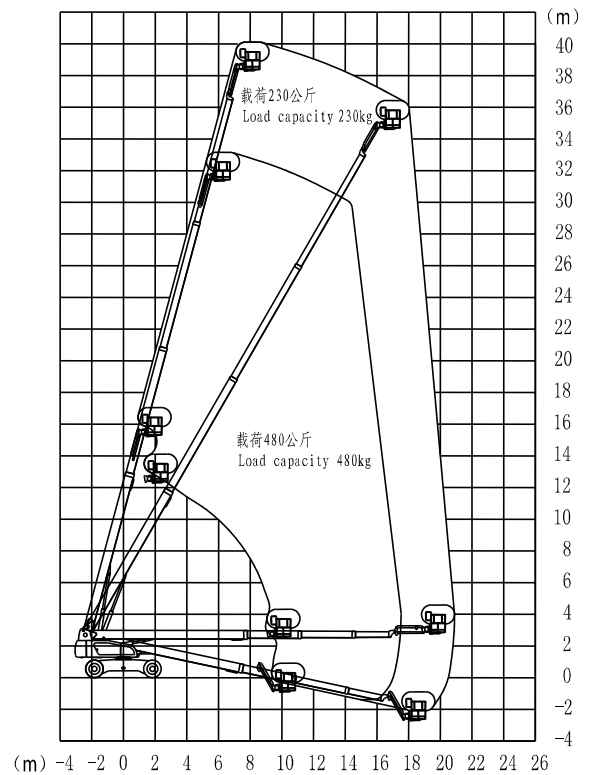
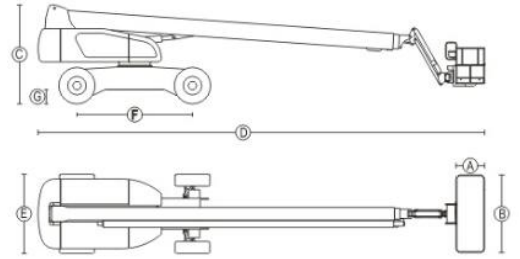


GTBZ38Z-38m Diesel telescopic boom lift

Model	GTBZ38Z
Working Height Maximum	40.4m
Platform Height Maximum	38.4m
Working radius maximum	24.4m
Lift capacity(restricted)	480kg
Lift capacity(non-restricted)	230kg
Length(stowed) ④	14.1m
Width (axle retracted)	2.49m
Width (axle extended) ⑤	4.1m
Height(stowed) ③	3.1m
Wheel base ⑥	4.2m
Ground clearance ⑦	280mm
Platform measurement ⑧*⑨	2.44*0.91m
Turning radius(inside,axle,retracted)	4.14m
Turning radius(inside,axle,extended)	3.13m
Turning radius(outside, axle,retracted)	7.02m
Turning radius(outside, axle,extended)	6.5m
Travel speed(stowed)	4.4km/h
Travel speed(raised or extended)	1.1km/h
Grade ability-Stowed	40% (4WD)
Solid tire	385/65-22.5
Swing speed	0~1/3rpm
Turn table swing	360 Continuous
Platform leveling	Automatic leveling
Platform rotation	±90°
Hydraulic tank volume	150L
Total weight	20900kg (4WD)
Control voltage	12v
Drive &Steering mode	4*4*4
Engine	Cummins QSF2.8T-C71
Rated power	Cummins 53kw/2200rpm



CONFIGURATION	
Engine	Cummins (USA)
Driving pump	SAUER (USA)
Lifting Pump	SAUER(USA)/Cassapa(Italy)/Hi-Tech(China)
Travel reducer	Infinity(China)/Brevini(Italy)/PMP(Italy)
Hydraulic valve	Hydraforce (USA)
Swing motor	Whlionshare(China)

