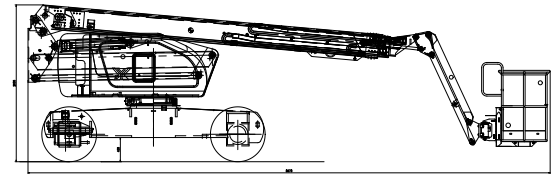
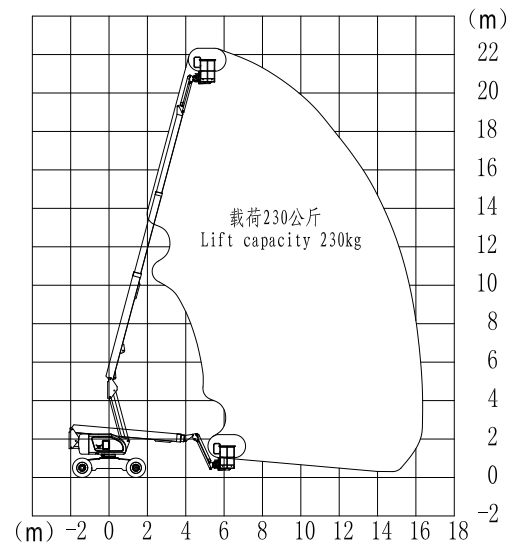


GTBZ20-20m Diesel telescopic boom lift

Model	GTBZ20
Working Height Maximum	22.3m
Platform Height Maximum	20.3m
Horizontal Outreach maximum	18m
Lifting capacity(non-restricted)	230kg
Length(stowed) ①	9.45m
Width (stowed) ②	2.49m
Height(stowed) ③	2.75m
Wheel base ④	3m
Ground clearance ⑤	430mm
Platform measurement ⑥*⑦	2.44*0.91m
Turning radius-inside	3m
Turning radius-outside	5.2m
Travel speed(stowed)	4.4km/h
Travel speed(raised or extended)	1.1km/h
Grade ability-Stowed	40%
Solid tire	36*14-20
Swing speed	0~0.8rpm
Turn table swing	360 Continuous
Platform leveling	Automatic leveling
Platform rotation	±90
Hydraulic tank volume	151L
Total weight	12500kg (2WD)
Control voltage	12v
Drive &Steering mode	4*4*2
Engine	Yanmar 4TNV94L-B*PHZ
Rated power	35.5kw/2200rpm



Range of Motion



CONFIGURATION	
Engine	Cummins (USA)
Driving pump	SAUER (USA)/Hi-tech(China)
Lifting pump	Hi-tech(China)/Cassapa(Italy)
Travel motor	SAUER(USA)/Hi-tech(China)
Travel reducer	Infinite(China)/Omni(Italy)
Hydraulic valve	Hydraforce (USA)
Swing motor	Whlionshare(China)

