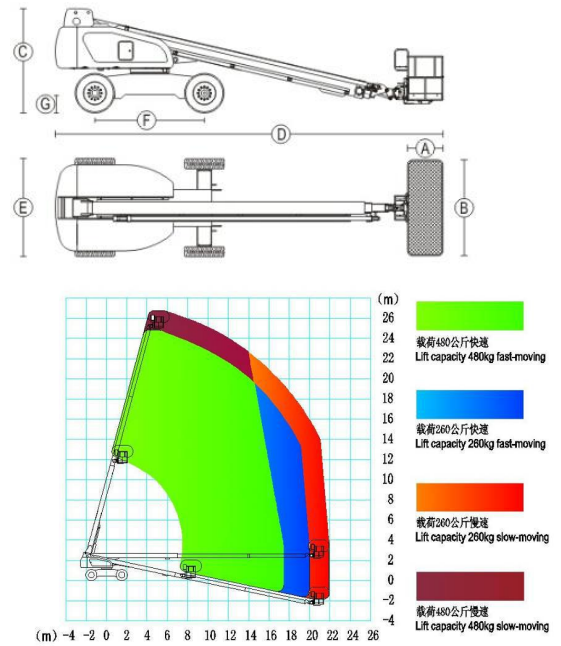


GTBZ26-26m Diesel telescopic boom lift

Model	GTBZ26
Working Height Maximum	28m
Platform Height Maximum	26m
Working radius maximum	20m
Lift capacity(restricted)	480kg
Lift capacity(non-restricted)	250kg
Length(stowed) ④	11.55m
Width (stowed) ⑤	2.58m
Height(stowed) ③	2.83m
Wheel base ⑥	3.0m
Ground clearance ⑦	430mm
Platform measurement ⑧*⑨	1.83*0.91m
Tail radius-inside	3.59m
Turning radius-outside	5.95m
Travel speed(stowed)	4.4km/h
Travel speed(raised or extended)	1.1km/h
Grade ability 4WD	40% (4WD)
Solid tire	385/65-22.5
Swing speed	0~0.8rpm
Turn table swing	360 Continuous
Platform leveling	Automatic leveling
Platform rotation	±90°
Hydraulic tank volume	151L
Total weight	16800kg
Control voltage	12v
Drive &Steering mode	4*4*2;4*2*2
Engine	Cummins QSF2.8T-C71
Rated power	53kw/2200rpm



CONFIGURATION	
Engine	Cummins from Japan
Variable pump	SAUER from USA
Gear pump	SALAMI from Italy
Travel motor	Rexroth from German
Travel reducer	Rexroth from German
Hydraulic valve	Hydraforce from USA, Northman from China
Swing motor	HELAC from USA